

Antenna Mounts

Heavy Standoff Mounts

These Heavy Standoff Mounts are second to none. They are capable of holding large 12' microwave dishes under the most extreme wind speeds. The 4½" OD mounting pipe is available in two lengths, 6' and 8', and has a standard 1' offset.

The standoffs are available as a vertical tower attachment, or as a 3° (1 in 20) tapered tower attachment. If the site-specific information is unavailable on whether a tower leg is vertical or not, then purchase the universal backing hardware as it allows installation on structures from 0° to 3° in slope, and can accommodate up to 11" OD rounds or 8" angles.

Standard backing assemblies are available in two sizes, small or large. The small backing assembly can attach to round legs up to 4½" OD or 60° angles up to 4" in size. The large backing assembly can attach to round legs ranging from 1½" to 11" OD, or 60° and 90° angle legs up to 8" in size.

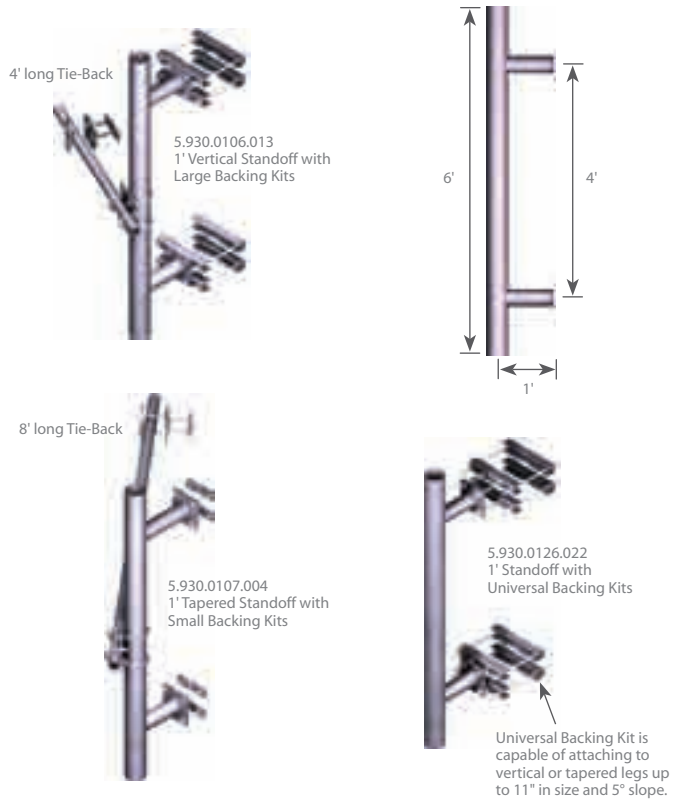
Tie-backs are available to provide additional mount or antenna stability, and are recommended for extreme wind or heavy loading conditions.

Quick Guide			
Size	1' Large Standoff	Mounts to	Up to 11" OD Legs Tapered or Vertical
Design	One piece welded frame	Material	Hot dip galvanized steel
Feature	4½" x 6' or 8' Mounting Pipes	Order Separately	Longer Tie-Backs than below, page 12

Top number is always the Vertical Weldment / Bottom number is always the Tapered Weldment

Kit #	Description	Qty	List Price	Wt
Heavy - 1' Standoff with 4½" x 6' Pipe				
5.930.0106.001	S100H-6V: 1' Vertical Standoff	Ea	\$283	97
5.930.0107.001	S100H-6T: 1' Tapered Standoff No Mounting Hardware		\$288	
5.930.0106.002	S100H-6V: 1' Vertical Standoff	Ea	\$363	107
5.930.0107.002	S100H-6T: 1' Tapered Standoff Includes Small Backing Kits		\$368	
5.930.0106.003	S100H-6V: 1' Vertical Standoff	Ea	\$567	149
5.930.0107.003	S100H-6T: 1' Tapered Standoff Includes Small Backing Kits and 4' long Tie-Back		\$572	
5.930.0106.004	S100H-6V: 1' Vertical Standoff	Ea	\$613	168
5.930.0107.004	S100H-6T: 1' Tapered Standoff Includes Small Backing Kits and 8' long Tie-Back		\$618	
5.930.0106.012	S100H-6V: 1' Vertical Standoff	Ea	\$499	141
5.930.0107.012	S100H-6T: 1' Tapered Standoff Includes Large Backing Kits		\$504	
5.930.0106.013	S100H-6V: 1' Vertical Standoff	Ea	\$703	183
5.930.0107.013	S100H-6T: 1' Tapered Standoff Includes Large Backing Kits and 4' long Tie-Back		\$708	
5.930.0106.014	S100H-6V: 1' Vertical Standoff	Ea	\$749	202
5.930.0107.014	S100H-6T: 1' Tapered Standoff Includes Large Backing Kits and 8' long Tie-Back		\$754	

Notes: 1. Small Backing Kits fit up to 4½" OD rounds and 4" (60°) angles.
2. Large Backing Kits fit up to 11" OD rounds and 8" angles.
3. The above Tie-Backs can attach up to 3½" OD members.

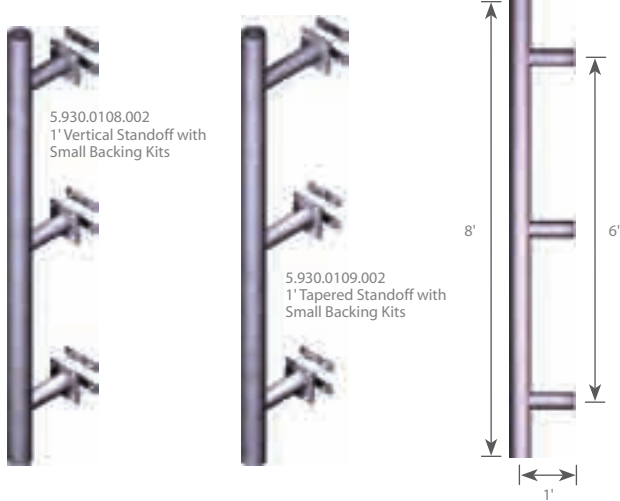


Kit #	Description	Qty	List Price	Wt
Heavy - Universal 1' Standoff with 4½" x 6' Pipe				
5.930.0126.022	S100H-6U: 1' Vertical Standoff Includes Universal Backing Kits	Ea	\$575	145
5.930.0126.025	S100H-6U: 1' Vertical Standoff Includes Universal Backing Kits and Universal Tie-Back	Ea	\$903	237

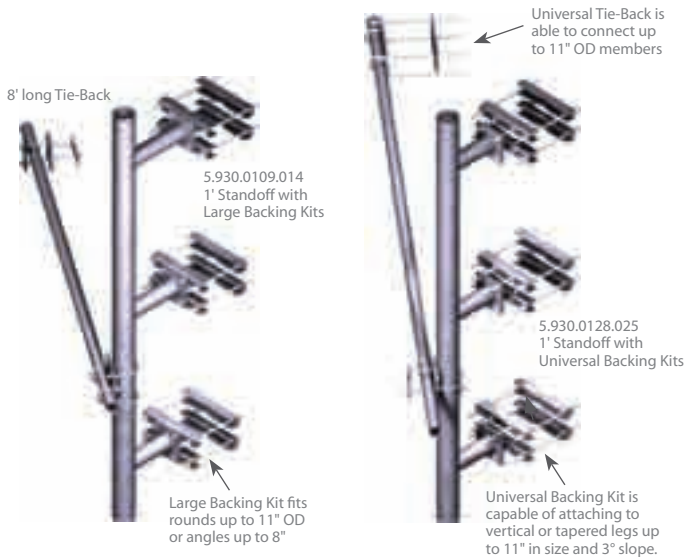
Notes: 1. Universal Backing Kit fits up to 11" OD rounds and 8" angles; and vertical or tapered legs up to a 5° (1 in 12) slope.
2. The above 12' long Tie-Backs can attach up to 11" OD members.

Antenna Mounts

Heavy Standoff Mounts *continued*



Illustrated is a 12' Dish mounted to the Heavy Duty Standoff complete with Small Backing Kits and 4' Tie-Back (5.930.0109.003)



Top number is always the Vertical Weldment / Bottom number is always the Tapered Weldment

Kit #	Description	Qty	List Price	Wt
Heavy - 1' Standoff with 4½" x 8' Pipe				
5.930.0108.001	S100H-8V: 1' Vertical Standoff	Ea	\$392	134
5.930.0109.001	S100H-8T: 1' Tapered Standoff No Mounting Hardware		\$402	
5.930.0108.002	S100H-8V: 1' Vertical Standoff	Ea	\$512	149
5.930.0109.002	S100H-8T: 1' Tapered Standoff Includes Small Backing Kits		\$522	
5.930.0108.003	S100H-8V: 1' Vertical Standoff	Ea	\$716	192
5.930.0109.003	S100H-8T: 1' Tapered Standoff Includes Small Backing Kits and 4' long Tie-Back		\$726	
5.930.0108.004	S100H-8V: 1' Vertical Standoff	Ea	\$762	210
5.930.0109.004	S100H-8T: 1' Tapered Standoff Includes Small Backing Kits and 8' long Tie-Back		\$772	
5.930.0108.012	S100H-8V: 1' Vertical Standoff	Ea	\$716	201
5.930.0109.012	S100H-8T: 1' Tapered Standoff Includes Large Backing Kits		\$726	
5.930.0108.013	S100H-8V: 1' Vertical Standoff	Ea	\$920	243
5.930.0109.013	S100H-8T: 1' Tapered Standoff Includes Large Backing Kits and 4' long Tie-Back		\$930	
5.930.0108.014	S100H-8V: 1' Vertical Standoff	Ea	\$966	262
5.930.0109.014	S100H-8T: 1' Tapered Standoff Includes Large Backing Kits and 8' long Tie-Back		\$976	

Kit #	Description	Qty	List Price	Wt
Heavy - Universal 1' Standoff with 4½" x 8' Pipe				
5.930.0128.022	S100H-8U: 1' Vertical Standoff Includes Universal Backing Kits	Ea	\$830	206
5.930.0128.025	S100H-8U: 1' Vertical Standoff Includes Universal Backing Kits and Universal Tie-Back	Ea	\$1158	296

Notes: 1. Universal Backing Kit fits up to 11" OD rounds and 8" angles; and vertical or tapered legs up to a 3° (1 in 20) slope.
2. The above 12' long Tie-Backs can attach up to 11" OD members.

Notes: 1. Small Backing Kits fit up to 4½" OD rounds and 4" (60°) angles.
2. Large Backing Kits fit up to 11" OD rounds and 8" angles.
3. The above Tie-Backs can attach up to 3½" OD members.