

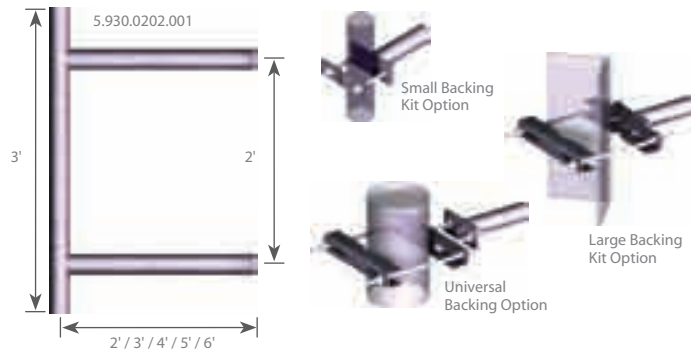
Antenna Mounts

Light Standoff Mounts

Light Standoffs are a perfect mounting solution for wireless omnidirectional antennas when separation from the tower structure is essential. They come in five standard standoffs ranging from 2' to 6' in 1' increments to suit your exact site needs.

Members are welded to the strictest standards and are made from 2 3/8" OD structural tubes, which are then hot dip galvanized to weather the elements. The main pipe mount is 3' long to give you greater diversity in installing the antenna to the structure.

Three optional backing assemblies are available to attach to most tower legs. The standard 'small' backing assembly allows attachment to round legs up to 4 1/2" OD or 60° angle legs up to 4" in size. The 'large' backing assembly can attach to round legs ranging from 1 1/2" to 11" OD, or 60° and 90° angles up to 8" in size. To accommodate additional possibilities such as tapered towers, the last option is our 'universal' backing assembly that has the same capabilities of the large backing assembly plus the ability to mount standoffs to either vertical tower legs or tapered tower legs up to 10° (1 in 6) slope.



Quick Guide			
Size	2' to 6' Light Standoffs	Mounts to	Up to 11" OD Legs Tapered or Vertical
Design	One piece welded frame	Material	Hot dip galvanized steel
Feature	2 3/8" x 3' Mounting Pipe	Order Separately	Tie-Backs, page 12 for extra support



Kit #	Description	Qty	List Price	Wt
Light - 2' Standoff				
5.930.0202.001	S200L - 2' Standoff No Mounting Hardware	Ea	\$129	37
5.930.0202.002	S200L - 2' Standoff With Small Backing Kits	Ea	\$169	42
5.930.0202.012	S200L - 2' Standoff With Large Backing Kits	Ea	\$237	59
5.930.0202.022	S200L - 2' Standoff With Universal Backing Kits	Ea	\$275	62

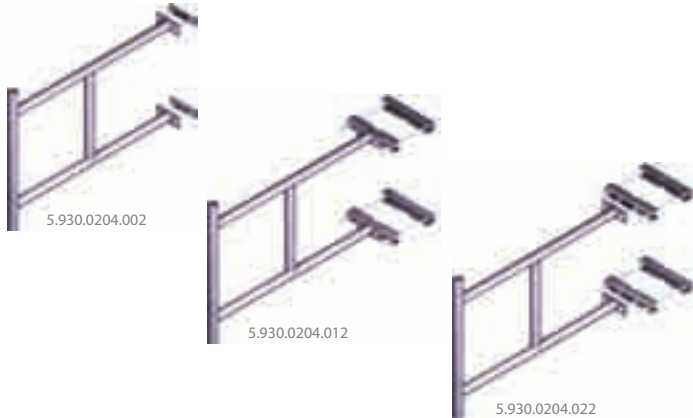
Notes: 1. Small Backing Kits fit up to 4 1/2" OD rounds and 4" (60°) angles.
 2. Large Backing Kits fit up to 11" OD rounds and 8" angles.
 3. Universal Backing Kits fit up to 11" OD rounds and 8" angles, and can be mounted vertically or up to a 10° (1 in 6) tapered leg.

Kit #	Description	Qty	List Price	Wt
Light - 3' Standoff				
5.930.0203.001	S300L - 3' Standoff No Mounting Hardware	Ea	\$153	46
5.930.0203.002	S300L - 3' Standoff With Small Backing Kits	Ea	\$193	51
5.930.0203.012	S300L - 3' Standoff With Large Backing Kits	Ea	\$261	68
5.930.0203.022	S300L - 3' Standoff With Universal Backing Kits	Ea	\$299	71

Notes: 1. Small Backing Kits fit up to 4 1/2" OD rounds and 4" (60°) angles.
 2. Large Backing Kits fit up to 11" OD rounds and 8" angles.
 3. Universal Backing Kits fit up to 11" OD rounds and 8" angles, and can be mounted vertically or up to a 10° (1 in 6) tapered leg.

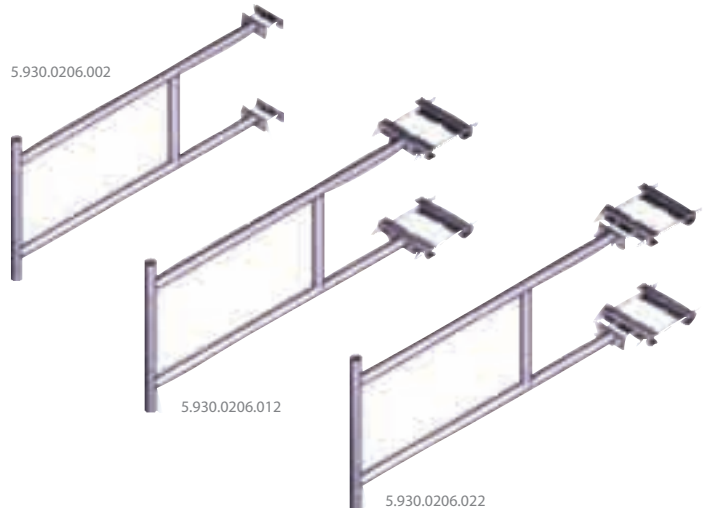
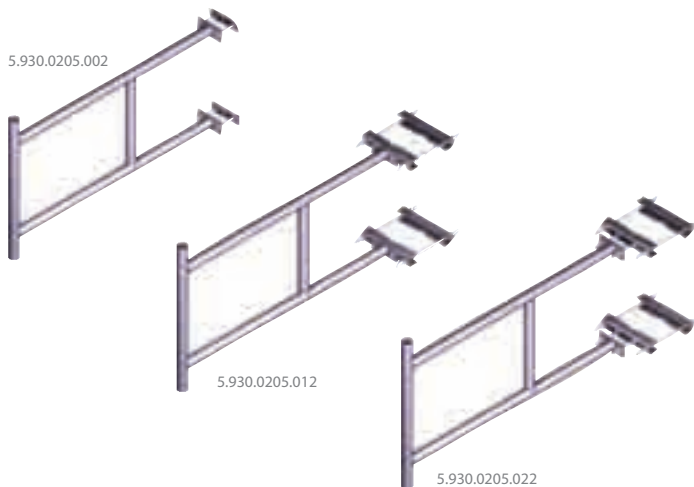
Antenna Mounts

Light Standoff Mounts *continued*



Kit #	Description	Qty	List Price	Wt
Light - 4' Standoff				
5.930.0204.001	S400L - 4' Standoff No Mounting Hardware	Ea	\$210	64
5.930.0204.002	S400L - 4' Standoff With Small Backing Kits	Ea	\$250	69
5.930.0204.012	S400L - 4' Standoff With Large Backing Kits	Ea	\$318	86
5.930.0204.022	S400L - 4' Standoff With Universal Backing Kits	Ea	\$356	89

Notes: 1. Small Backing Kits fit up to 4½" OD rounds and 4" (60°) angles.
2. Large Backing Kits fit up to 11" OD rounds and 8" angles.
3. Universal Backing Kits fit up to 11" OD rounds and 8" angles, and can be mounted vertically or up to a 10° (1 in 6) tapered leg.



Kit #	Description	Qty	List Price	Wt
Light - 5' Standoff				
5.930.0205.001	S500L - 5' Standoff No Mounting Hardware	Ea	\$233	73
5.930.0205.002	S500L - 5' Standoff With Small Backing Kits	Ea	\$273	78
5.930.0205.012	S500L - 5' Standoff With Large Backing Kits	Ea	\$341	95
5.930.0205.022	S500L - 5' Standoff With Universal Backing Kits	Ea	\$379	98

Kit #	Description	Qty	List Price	Wt
Light - 6' Standoff				
5.930.0206.001	S600L - 6' Standoff No Mounting Hardware	Ea	\$256	82
5.930.0206.002	S600L - 6' Standoff With Small Backing Kits	Ea	\$296	87
5.930.0206.012	S600L - 6' Standoff With Large Backing Kits	Ea	\$364	104
5.930.0206.022	S600L - 6' Standoff With Universal Backing Kits	Ea	\$402	107

Notes: 1. Small Backing Kits fit up to 4½" OD rounds and 4" (60°) angles.
2. Large Backing Kits fit up to 11" OD rounds and 8" angles.
3. Universal Backing Kits fit up to 11" OD rounds and 8" angles, and can be mounted vertically or up to a 10° (1 in 6) tapered leg.

Notes: 1. Small Backing Kits fit up to 4½" OD rounds and 4" (60°) angles.
2. Large Backing Kits fit up to 11" OD rounds and 8" angles.
3. Universal Backing Kits fit up to 11" OD rounds and 8" angles, and can be mounted vertically or up to a 10° (1 in 6) tapered leg.