

Antenna Mounts

Medium Standoff Mounts

Medium Standoff Mounts are offered in three sizes (1', 2' and 3') to suit your specific application. Its versatile 3½" OD x 52" long pipe is heavy enough to accommodate small dishes and most wireless or panel antennas.

Tapered standoffs are available for industry standard 3° (1 in 20) tower structures, universal backing hardware can be purchased to accommodate tapered legs up to 8° (1 in 7 slope). Tie-Back assemblies are available when antenna orientation is critical for your system.



The standard 'small' backing assembly allows attachment to round legs up to 4½" OD or 60° angle legs up to 4" in size. The 'large' backing assembly can be attached to round legs ranging from 1½" to 11" OD, or 60° and 90° angles up to 8" in size.

Another option is the 'universal' backing assembly which can accommodate round legs up to 11" OD or angles up to 8". It offers the unique ability to mount standoffs to either vertical tower legs or tapered tower legs up to 8° (1 in 7) slope.

Quick Guide

Size	1', 2', and 3' Medium Standoffs	Mounts to	Up to 11" OD Legs Tapered or Vertical
Design	One piece welded frame	Material	Hot dip galvanized steel
Feature	3½" x 52" Mounting Pipe	Order Separately	Longer Tie-Backs than below, page 12

Top number is always the Vertical Weldment / Bottom number is always the Tapered Weldment

Kit #	Description	Qty	List Price	Wt
Medium - 1' Standoff				
5.930.0100.001	S100M-V: 1' Vertical Standoff	Ea	\$181	55
5.930.0101.001	S100M-T: 1' Tapered Standoff No Mounting Hardware		\$183	
5.930.0100.002	S100M-V: 1' Vertical Standoff	Ea	\$261	65
5.930.0101.002	S100M-T: 1' Tapered Standoff Includes Small Backing Kits		\$263	
5.930.0100.003	S100M-V: 1' Vertical Standoff	Ea	\$465	108
5.930.0101.003	S100M-T: 1' Tapered Standoff Includes Small Backing Kits and 4' long Tie-Back		\$467	
5.930.0100.004	S100M-V: 1' Vertical Standoff	Ea	\$511	126
5.930.0101.004	S100M-T: 1' Tapered Standoff Includes Small Backing Kits and 8' long Tie-Back		\$513	
5.930.0100.012	S100M-V: 1' Vertical Standoff	Ea	\$397	100
5.930.0101.012	S100M-T: 1' Tapered Standoff Includes Large Backing Kits		\$399	
5.930.0100.013	S100M-V: 1' Vertical Standoff	Ea	\$601	142
5.930.0101.013	S100M-T: 1' Tapered Standoff Includes Large Backing Kits and 4' long Tie-Back		\$603	
5.930.0100.014	S100M-V: 1' Vertical Standoff	Ea	\$647	161
5.930.0101.014	S100M-T: 1' Tapered Standoff Includes Large Backing Kits and 8' long Tie-Back		\$649	

- Notes: 1. Small Backing Kits fit up to 4½" OD rounds and 4" (60°) angles.
2. Large Backing Kits fit up to 11" OD rounds and 8" angles.
3. The above Tie-Backs can attach up to 3½" OD members.

Kit #	Description	Qty	List Price	Wt
Medium - 2' Standoff				
5.930.0102.001	S200M-V: 2' Vertical Standoff	Ea	\$216	69
5.930.0103.001	S200M-T: 2' Tapered Standoff No Mounting Hardware		\$218	
5.930.0102.002	S200M-V: 2' Vertical Standoff	Ea	\$296	80
5.930.0103.002	S200M-T: 2' Tapered Standoff Includes Small Backing Kits		\$298	
5.930.0102.003	S200M-V: 2' Vertical Standoff	Ea	\$523	131
5.930.0103.003	S200M-T: 2' Tapered Standoff Includes Small Backing Kits and 6' long Tie-Back		\$525	
5.930.0102.004	S200M-V: 2' Vertical Standoff	Ea	\$546	140
5.930.0103.004	S200M-T: 2' Tapered Standoff Includes Small Backing Kits and 8' long Tie-Back		\$548	
5.930.0102.012	S200M-V: 2' Vertical Standoff	Ea	\$432	114
5.930.0103.012	S200M-T: 2' Tapered Standoff Includes Large Backing Kits		\$434	
5.930.0102.013	S200M-V: 2' Vertical Standoff	Ea	\$659	166
5.930.0103.013	S200M-T: 2' Tapered Standoff Includes Large Backing Kits and 6' long Tie-Back		\$661	
5.930.0102.014	S200M-V: 2' Vertical Standoff	Ea	\$682	175
5.930.0103.014	S200M-T: 2' Tapered Standoff Includes Large Backing Kits and 8' long Tie-Back		\$684	

- Notes: 1. Small Backing Kits fit up to 4½" OD rounds and 4" (60°) angles.
2. Large Backing Kits fit up to 11" OD rounds and 8" angles.
3. The above Tie-Backs can attach up to 3½" OD members.

Antenna Mounts

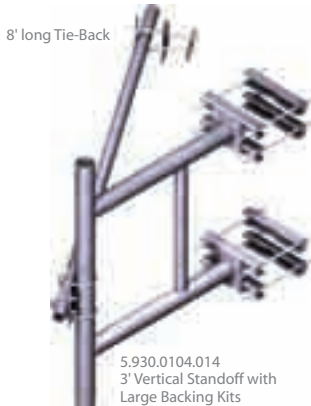
Medium Standoff Mounts *continued*



5.930.0104.002
3' Vertical Standoff with
Small Backing Kits



5.930.0105.002
3' Tapered Standoff with
Small Backing Kits



5.930.0104.014
3' Vertical Standoff with
Large Backing Kits



5.930.0105.014
3' Tapered Standoff with
Large Backing Kits

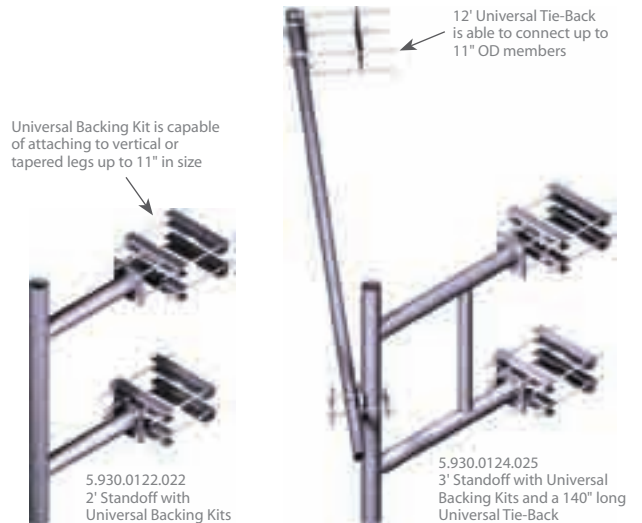
Kit #	Description	Qty	List Price	Wt
Medium - 3' Standoff				
5.930.0104.001	S300M-V: 3' Vertical Standoff	Ea	\$290	94
5.930.0105.001	S300M-T: 3' Tapered Standoff No Mounting Hardware		\$292	
5.930.0104.002	S300M-V: 3' Vertical Standoff	Ea	\$370	104
5.930.0105.002	S300M-T: 3' Tapered Standoff Includes Small Backing Kits		\$372	
5.930.0104.003	S300M-V: 3' Vertical Standoff	Ea	\$597	156
5.930.0105.003	S300M-T: 3' Tapered Standoff Includes Small Backing Kits and 6' long Tie-Back		\$599	
5.930.0104.004	S300M-V: 3' Vertical Standoff	Ea	\$620	165
5.930.0105.004	S300M-T: 3' Tapered Standoff Includes Small Backing Kits and 8' long Tie-Back		\$622	
5.930.0104.012	S300M-V: 3' Vertical Standoff	Ea	\$506	138
5.930.0105.012	S300M-T: 3' Tapered Standoff Includes Large Backing Kits		\$508	
5.930.0104.013	S300M-V: 3' Vertical Standoff	Ea	\$733	190
5.930.0105.013	S300M-T: 3' Tapered Standoff Includes Large Backing Kits and 6' long Tie-Back		\$735	
5.930.0104.014	S300M-V: 3' Vertical Standoff	Ea	\$756	199
5.930.0105.014	S300M-T: 3' Tapered Standoff Includes Large Backing Kits and 8' long Tie-Back		\$758	

- Notes: 1. Small Backing Kits fit up to 4½" OD rounds and 4" (60°) angles.
2. Large Backing Kits fit up to 11" OD rounds and 8" angles.
3. The above Tie-Backs can attach up to 3½" OD members.

Top number is always the Vertical Weldment / Bottom number is always the Tapered Weldment

Kit #	Description	Qty	List Price	Wt
Medium - Universal 1' Standoff				
5.930.0120.022	S100M-U: 1' Vertical Standoff Includes Universal Backing Kits	Ea	\$473	105
5.930.0120.025	S100M-U: 1' Vertical Standoff Includes Universal Backing Kits and Universal Tie-Back	Ea	\$790	195
Medium - Universal 2' Standoff				
5.930.0122.022	S200M-U: 2' Vertical Standoff Includes Universal Backing Kits	Ea	\$508	119
5.930.0122.025	S200M-U: 2' Vertical Standoff Includes Universal Backing Kits and Universal Tie-Back	Ea	\$825	209
Medium - Universal 3' Standoff				
5.930.0124.022	S300M-U: 3' Vertical Standoff Includes Universal Backing Kits	Ea	\$582	143
5.930.0124.025	S300M-U: 3' Vertical Standoff Includes Universal Backing Kits and Universal Tie-Back	Ea	\$899	234

- Notes: 1. Universal Backing Kit fits up to 11" OD rounds and 8" angles; and vertical or tapered legs up to a 8° (1 in 7) slope.
2. The above 12' long Tie-Backs can attach up to 11" OD members.



5.930.0122.022
2' Standoff with
Universal Backing Kits

5.930.0124.025
3' Standoff with Universal
Backing Kits and a 140" long
Universal Tie-Back