

Antenna Mounts

Site-Specific Antenna Mounts

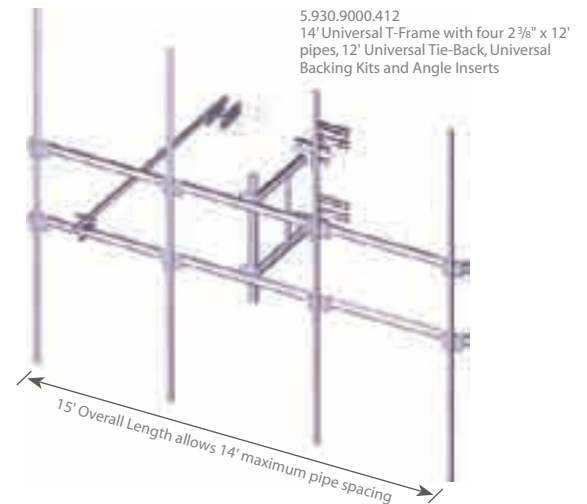
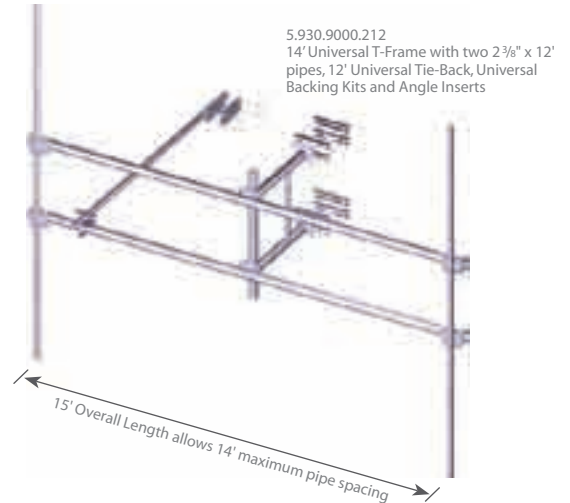
The following Site-Specific Antenna Mounts were created from standard kits to fulfill commonly found site requirements.

Listed are three universal kits; of which two are variations of our typical universal t-frames on page 31 but with 12' long pipes, while the third is a variation of our universal 6' light standoff found on page 3.

All three kits come complete with our universal backing assemblies and universal tie-backs (12' long) that can attach to either round legs ranging from 1½" up to 11" OD, or 60° or 90° angle legs up to 8" in size. In addition, the unique backing assemblies can mount either to vertical tower legs or tapered tower legs up to 8° (1 in 7) slope.

These kits also include our special angle inserts that will protect smaller 60° angle legs (5" and less) from pinching during installation.

All material is hot dip galvanized to ensure long-term performance against corrosion.



Kit #	Description	Qty	List Price	Wt
Site-Specific Antenna Mounts				
5.930.9000.212	14' Universal T-Frame with 3' Standoff, Universal Backing Kits, 12' Universal Tie-Back, Angle Inserts, and two 2¾" x 12' pipes	Ea	\$2115	614
5.930.9000.412	14' Universal T-Frame with 3' Standoff, Universal Backing Kits, 12' Universal Tie-Back, Angle Inserts, and four 2¾" x 12' pipes	Ea	\$2621	762
5.930.9001.022	6' Light Standoff with 2¾" x 36" mounting pipe, Universal Backing Kits, 12' Universal Tie-Back, and Angle Inserts	Ea	\$745	200

- Note:
1. Universal Backing Kits fit up to 11"OD rounds and 8" angles, and can mount to vertical or tapered tower legs up to 8° (1 in 7) slope.
 2. Universal Tie-Backs can attach up to 11"OD members.
 3. All Kits come complete with angle inserts to prevent smaller 60° angles from pinching during face mount installation.

