

## Antenna Mounts

### T-Frame Sector Mounts

Trylon TSF's versatile T-Frame Sector Mounts are offered in 11' and 14' centred spans. These T-Frames are also offered with 2 3/8" OD rails for your light duty needs, and 3 1/2" OD rails for your heavier wind or larger loading requirements.

*(Note: As an example, a 14' T-Frame with 2 3/8" OD can hold four 1' x 8' panels at maximum diversity under 400Pa wind pressures, whereas the 3 1/2" OD rails can achieve wind pressures up to 800Pa, both with less than 1° deflection. Call us to see which is best suited for your application.)*

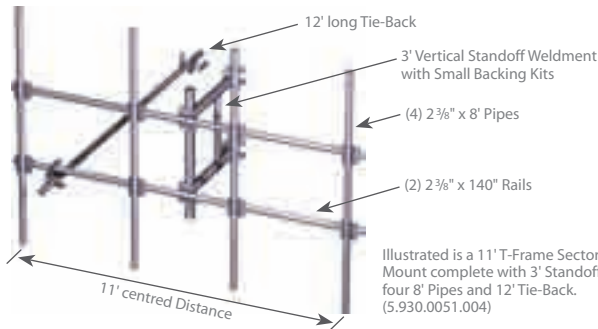
Sector diversity is achieved through the leg offset, by either rotating the mount about the tower leg, or by using the 3 1/2" offset pipe. The T-Frame comes standard with a 3' offset, which ultimately gives the antennas just over a 3 1/2' true structure

offset (see illustration). Tapered standoffs are also available for structures with 1 in 20 (3°) slope for both offset sizes.

To accommodate various sized tower legs, standard small backing kits are offered for up to 4 1/2" OD members, and large backing kits for round members up to 11" OD, or 60° and 90° angle legs up to 8" in size.

A 12' long tie-back assembly is available to stabilize your antennas in high wind or ice conditions and can attach to members up to 3 1/2" OD or 3" angles. If required, larger tie-backs can be ordered separately on page 12.

All material is hot dip galvanized for corrosion resistance in any environmental condition.



| Quick Guide |                                    |                  |                                       |
|-------------|------------------------------------|------------------|---------------------------------------|
| Size        | 11' or 14' Face Widths             | Mounts to        | Up to 11" OD Legs Tapered or Vertical |
| Design      | Pipe Frame with 3' Welded Standoff | Material         | Hot dip galvanized steel              |
| Feature     | Heavy duty design                  | Order Separately | Longer Tie-Backs than below, page 12  |

| Kit #                                       | Description   | Qty | List Price | Wt  |
|---|---|-----|------------|-----|
| <b>11' T-Frame Sector with 2 3/8" Rails</b> |   |     |            |     |
| 5.930.0051.001                              | T-Frame with 3' Vertical Standoff   | Ea  | \$686      | 220 |
| 5.930.0052.001                              | T-Frame with 3' Tapered Standoff<br>No Mounting Hardware or Tie-Back  |     | \$688      |     |
| 5.930.0051.003                              | T-Frame with 3' Vertical Standoff   | Ea  | \$1617     | 463 |
| 5.930.0052.003                              | T-Frame with 3' Tapered Standoff<br>Includes three 2 3/8" x 8' pipes, Small Backing Kits, and 12' long Tie-Back |     | \$1619     |     |
| 5.930.0051.004                              | T-Frame with 3' Vertical Standoff   | Ea  | \$1808     | 516 |
| 5.930.0052.004                              | T-Frame with 3' Tapered Standoff<br>Includes four 2 3/8" x 8' pipes, Small Backing Kits, and 12' long Tie-Back  |     | \$1810     |     |
| 5.930.0051.013                              | T-Frame with 3' Vertical Standoff   | Ea  | \$1753     | 497 |
| 5.930.0052.013                              | T-Frame with 3' Tapered Standoff<br>Includes three 2 3/8" x 8' pipes, Large Backing Kits, and 12' long Tie-Back |     | \$1755     |     |
| 5.930.0051.014                              | T-Frame with 3' Vertical Standoff   | Ea  | \$1944     | 550 |
| 5.930.0052.014                              | T-Frame with 3' Tapered Standoff<br>Includes four 2 3/8" x 8' pipes, Large Backing Kits, and 12' long Tie-Back  |     | \$1946     |     |

- Notes: 1. Small Backing Kits fit up to 4 1/2" OD rounds and 4" (60°) angles.  
2. Large Backing Kits fit up to 11" OD rounds and 8" angles.  
3. The above Tie-Backs can attach up to 3 1/2" OD members.

Top number is always the Vertical Weldment / Bottom number is always the Tapered Weldment

| Kit #                                       | Description   | Qty | List Price | Wt  |
|---|---|-----|------------|-----|
| <b>11' T-Frame Sector with 3 1/2" Rails</b> |   |     |            |     |
| 5.930.0053.001                              | T-Frame with 3' Vertical Standoff   | Ea  | \$842      | 276 |
| 5.930.0054.001                              | T-Frame with 3' Tapered Standoff<br>No Mounting Hardware or Tie-Back  |     | \$844      |     |
| 5.930.0053.003                              | T-Frame with 3' Vertical Standoff   | Ea  | \$1821     | 527 |
| 5.930.0054.003                              | T-Frame with 3' Tapered Standoff<br>Includes three 2 3/8" x 8' pipes, Small Backing Kits, and 12' long Tie-Back |     | \$1823     |     |
| 5.930.0053.004                              | T-Frame with 3' Vertical Standoff   | Ea  | \$2028     | 583 |
| 5.930.0054.004                              | T-Frame with 3' Tapered Standoff<br>Includes four 2 3/8" x 8' pipes, Small Backing Kits, and 12' long Tie-Back  |     | \$2030     |     |
| 5.930.0053.013                              | T-Frame with 3' Vertical Standoff   | Ea  | \$1957     | 562 |
| 5.930.0054.013                              | T-Frame with 3' Tapered Standoff<br>Includes three 2 3/8" x 8' pipes, Large Backing Kits, and 12' long Tie-Back |     | \$1959     |     |
| 5.930.0053.014                              | T-Frame with 3' Vertical Standoff   | Ea  | \$2164     | 617 |
| 5.930.0054.014                              | T-Frame with 3' Tapered Standoff<br>Includes four 2 3/8" x 8' pipes, Large Backing Kits, and 12' long Tie-Back  |     | \$2166     |     |

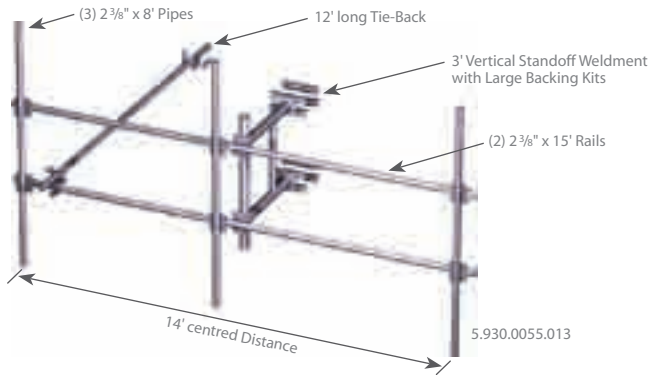
- Notes: 1. Small Backing Kits fit up to 4 1/2" OD rounds and 4" (60°) angles.  
2. Large Backing Kits fit up to 11" OD rounds and 8" angles.  
3. The above Tie-Backs can attach up to 3 1/2" OD members.

Trylon TSF 21 South Field Drive, P.O. Box 186 Elmira, ON N3B 2Z6

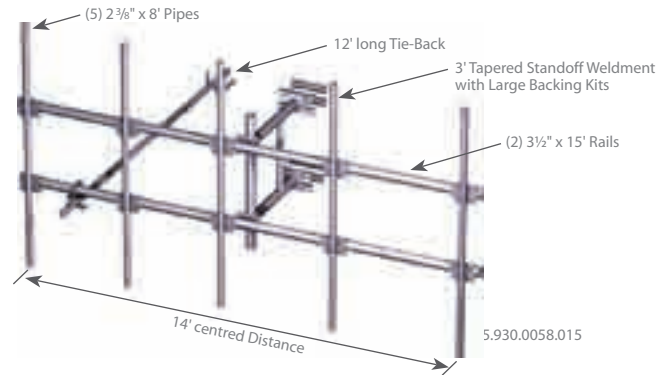
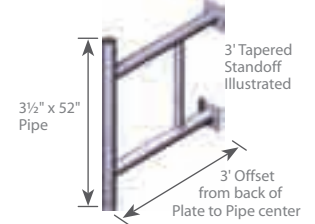
TF: 877.834.8912 F: 519.669.8912 E: info@trylon.com W: www.trylon.com

## Antenna Mounts

### T-Frame Sector Mounts *continued*



Stripped down version:  
Add Pipe Mount on page 78, along with backing hardware on page 10 and Tie-Back on page 12 to build your own T-Frame.



*Top number is always the Vertical Weldment / Bottom number is always the Tapered Weldment*

| Kit #                                       | Description   | Qty | List Price | Wt  |
|---|---|-----|------------|-----|
| <b>14' T-Frame Sector with 2 3/8" Rails</b> |   |     |            |     |
| 5.930.0055.001                              | T-Frame with 3' Vertical Standoff   | Ea  | \$756      | 251 |
| 5.930.0056.001                              | T-Frame with 3' Tapered Standoff<br>No Mounting Hardware or Tie-Back  |     | \$758      |     |
| 5.930.0055.003                              | T-Frame with 3' Vertical Standoff   | Ea  | \$1687     | 494 |
| 5.930.0056.003                              | T-Frame with 3' Tapered Standoff<br>Includes three 2 3/8" x 8' pipes, Small Backing Kits, and 12' long Tie-Back |     | \$1689     |     |
| 5.930.0055.004                              | T-Frame with 3' Vertical Standoff   | Ea  | \$1878     | 546 |
| 5.930.0056.004                              | T-Frame with 3' Tapered Standoff<br>Includes four 2 3/8" x 8' pipes, Small Backing Kits, and 12' long Tie-Back  |     | \$1880     |     |
| 5.930.0055.005                              | T-Frame with 3' Vertical Standoff   | Ea  | \$2069     | 599 |
| 5.930.0056.005                              | T-Frame with 3' Tapered Standoff<br>Includes five 2 3/8" x 8' pipes, Small Backing Kits, and 12' long Tie-Back  |     | \$2071     |     |
| 5.930.0055.013                              | T-Frame with 3' Vertical Standoff   | Ea  | \$1823     | 528 |
| 5.930.0056.013                              | T-Frame with 3' Tapered Standoff<br>Includes three 2 3/8" x 8' pipes, Large Backing Kits, and 12' long Tie-Back |     | \$1825     |     |
| 5.930.0055.014                              | T-Frame with 3' Vertical Standoff   | Ea  | \$2014     | 581 |
| 5.930.0056.014                              | T-Frame with 3' Tapered Standoff<br>Includes four 2 3/8" x 8' pipes, Large Backing Kits, and 12' long Tie-Back  |     | \$2016     |     |
| 5.930.0055.015                              | T-Frame with 3' Vertical Standoff   | Ea  | \$2205     | 633 |
| 5.930.0056.015                              | T-Frame with 3' Tapered Standoff<br>Includes five 2 3/8" x 8' pipes, Large Backing Kits, and 12' long Tie-Back  |     | \$2207     |     |

Notes: 1. Small Backing Kits fit up to 4 1/2" OD rounds and 4" (60°) angles.  
2. Large Backing Kits fit up to 11" OD rounds and 8" angles.  
3. The above Tie-Backs can attach up to 3 1/2" OD members.

| Kit #                                       | Description   | Qty | List Price | Wt  |
|---|---|-----|------------|-----|
| <b>14' T-Frame Sector with 3 1/2" Rails</b> |   |     |            |     |
| 5.930.0057.001                              | T-Frame with 3' Vertical Standoff   | Ea  | \$948      | 323 |
| 5.930.0058.001                              | T-Frame with 3' Tapered Standoff<br>No Mounting Hardware or Tie-Back  |     | \$950      |     |
| 5.930.0057.003                              | T-Frame with 3' Vertical Standoff   | Ea  | \$1927     | 574 |
| 5.930.0058.003                              | T-Frame with 3' Tapered Standoff<br>Includes three 2 3/8" x 8' pipes, Small Backing Kits, and 12' long Tie-Back |     | \$1929     |     |
| 5.930.0057.004                              | T-Frame with 3' Vertical Standoff   | Ea  | \$2134     | 629 |
| 5.930.0058.004                              | T-Frame with 3' Tapered Standoff<br>Includes four 2 3/8" x 8' pipes, Small Backing Kits, and 12' long Tie-Back  |     | \$2136     |     |
| 5.930.0057.005                              | T-Frame with 3' Vertical Standoff   | Ea  | \$2341     | 685 |
| 5.930.0058.005                              | T-Frame with 3' Tapered Standoff<br>Includes five 2 3/8" x 8' pipes, Small Backing Kits, and 12' long Tie-Back  |     | \$2343     |     |
| 5.930.0057.013                              | T-Frame with 3' Vertical Standoff   | Ea  | \$2063     | 608 |
| 5.930.0058.013                              | T-Frame with 3' Tapered Standoff<br>Includes three 2 3/8" x 8' pipes, Large Backing Kits, and 12' long Tie-Back |     | \$2065     |     |
| 5.930.0057.014                              | T-Frame with 3' Vertical Standoff   | Ea  | \$2270     | 664 |
| 5.930.0058.014                              | T-Frame with 3' Tapered Standoff<br>Includes four 2 3/8" x 8' pipes, Large Backing Kits, and 12' long Tie-Back  |     | \$2272     |     |
| 5.930.0057.015                              | T-Frame with 3' Vertical Standoff   | Ea  | \$2477     | 719 |
| 5.930.0058.015                              | T-Frame with 3' Tapered Standoff<br>Includes five 2 3/8" x 8' pipes, Large Backing Kits, and 12' long Tie-Back  |     | \$2479     |     |

Notes: 1. Small Backing Kits fit up to 4 1/2" OD rounds and 4" (60°) angles.  
2. Large Backing Kits fit up to 11" OD rounds and 8" angles.  
3. The above Tie-Backs can attach up to 3 1/2" OD members.

## Antenna Mounts

### T-Frame Sector Mounts *continued*

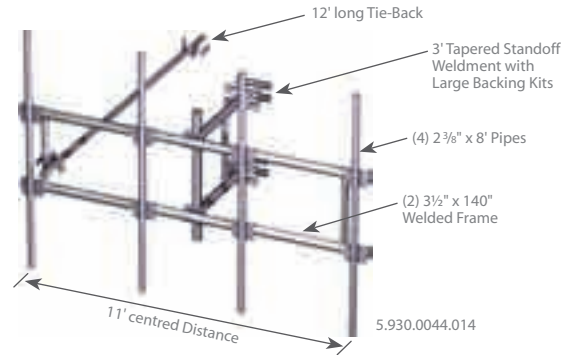
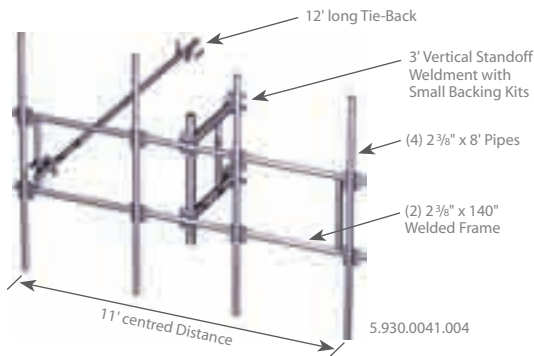
The T-Frame Sector Mounts on the next two pages have a welded frame design. These T-Frames are a more rugged and robust than those on the previous two pages. Buying the welded frame

design also reduces installation time since less alignment is required when assembling.

Same size options are available as the previous T-Frames.



| Quick Guide |                                    |                  |                                       |
|-------------|------------------------------------|------------------|---------------------------------------|
| Size        | 11' or 14' Face Widths             | Mounts to        | Up to 11" OD Legs Tapered or Vertical |
| Design      | Pipe Frame with 3' Welded Standoff | Material         | Hot dip galvanized steel              |
| Feature     | Heavy duty design                  | Order Separately | Longer Tie-Backs than below, page 12  |



| Kit #  | Description   | Qty | List Price | Wt  |
|--|---|-----|------------|-----|
| <b>11' Welded T-Frame Sector with 2 3/8" Rails</b> |   |     |            |     |
| 5.930.0041.001                                     | T-Frame with 3' Vertical Standoff   | Ea  | \$845      | 264 |
| 5.930.0042.001                                     | T-Frame with 3' Tapered Standoff<br>No Mounting Hardware or Tie-Back  |     | \$847      |     |
| 5.930.0041.003                                     | T-Frame with 3' Vertical Standoff   | Ea  | \$1776     | 507 |
| 5.930.0042.003                                     | T-Frame with 3' Tapered Standoff<br>Includes three 2 3/8" x 8' pipes, Small Backing Kits, and 12' long Tie-Back |     | \$1778     |     |
| 5.930.0041.004                                     | T-Frame with 3' Vertical Standoff   | Ea  | \$1967     | 560 |
| 5.930.0042.004                                     | T-Frame with 3' Tapered Standoff<br>Includes four 2 3/8" x 8' pipes, Small Backing Kits, and 12' long Tie-Back  |     | \$1969     |     |
| 5.930.0041.013                                     | T-Frame with 3' Vertical Standoff   | Ea  | \$1912     | 541 |
| 5.930.0042.013                                     | T-Frame with 3' Tapered Standoff<br>Includes three 2 3/8" x 8' pipes, Large Backing Kits, and 12' long Tie-Back |     | \$1914     |     |
| 5.930.0041.014                                     | T-Frame with 3' Vertical Standoff   | Ea  | \$2103     | 594 |
| 5.930.0042.014                                     | T-Frame with 3' Tapered Standoff<br>Includes four 2 3/8" x 8' pipes, Large Backing Kits, and 12' long Tie-Back  |     | \$2105     |     |

- Notes: 1. Small Backing Kits fit up to 4 1/2" OD rounds and 4" (60°) angles.  
2. Large Backing Kits fit up to 11" OD rounds and 8" angles.  
3. The above Tie-Backs can attach up to 3 1/2" OD members.

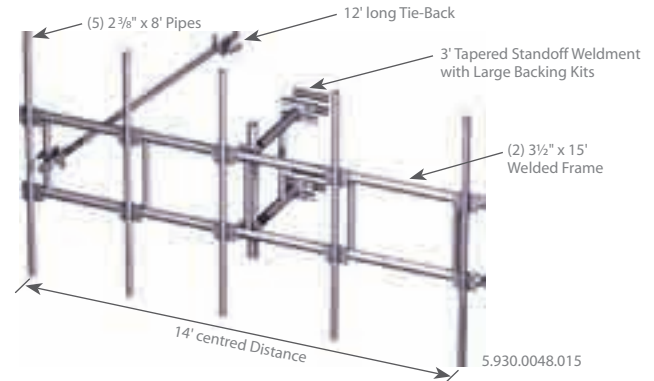
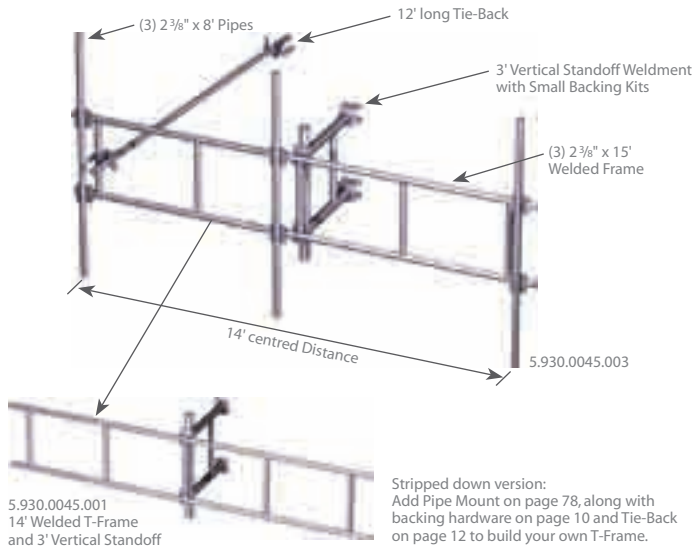
Top number is always the Vertical Weldment / Bottom number is always the Tapered Weldment

| Kit #  | Description   | Qty | List Price | Wt  |
|--|---|-----|------------|-----|
| <b>11' Welded T-Frame Sector with 3 1/2" Rails</b> |   |     |            |     |
| 5.930.0043.001                                     | T-Frame with 3' Vertical Standoff   | Ea  | \$994      | 318 |
| 5.930.0044.001                                     | T-Frame with 3' Tapered Standoff<br>No Mounting Hardware or Tie-Back  |     | \$996      |     |
| 5.930.0043.003                                     | T-Frame with 3' Vertical Standoff   | Ea  | \$1973     | 569 |
| 5.930.0044.003                                     | T-Frame with 3' Tapered Standoff<br>Includes three 2 3/8" x 8' pipes, Small Backing Kits, and 12' long Tie-Back |     | \$1975     |     |
| 5.930.0043.004                                     | T-Frame with 3' Vertical Standoff   | Ea  | \$2180     | 624 |
| 5.930.0044.004                                     | T-Frame with 3' Tapered Standoff<br>Includes four 2 3/8" x 8' pipes, Small Backing Kits, and 12' long Tie-Back  |     | \$2182     |     |
| 5.930.0043.013                                     | T-Frame with 3' Vertical Standoff   | Ea  | \$2109     | 603 |
| 5.930.0044.013                                     | T-Frame with 3' Tapered Standoff<br>Includes three 2 3/8" x 8' pipes, Large Backing Kits, and 12' long Tie-Back |     | \$2111     |     |
| 5.930.0043.014                                     | T-Frame with 3' Vertical Standoff   | Ea  | \$2316     | 659 |
| 5.930.0044.014                                     | T-Frame with 3' Tapered Standoff<br>Includes four 2 3/8" x 8' pipes, Large Backing Kits, and 12' long Tie-Back  |     | \$2318     |     |

- Notes: 1. Small Backing Kits fit up to 4 1/2" OD rounds and 4" (60°) angles.  
2. Large Backing Kits fit up to 11" OD rounds and 8" angles.  
3. The above Tie-Backs can attach up to 3 1/2" OD members.

## Antenna Mounts

### T-Frame Sector Mounts *continued*



*Top number is always the Vertical Weldment / Bottom number is always the Tapered Weldment*

| Kit #  | Description   | Qty | List Price | Wt  |
|--|---|-----|------------|-----|
| <b>14' Welded T-Frame Sector with 2 3/8" Rails</b> |   |     |            |     |
| 5.930.0045.001                                     | T-Frame with 3' Vertical Standoff   | Ea  | \$956      | 306 |
| 5.930.0046.001                                     | T-Frame with 3' Tapered Standoff<br>No Mounting Hardware or Tie-Back  |     | \$958      |     |
| 5.930.0045.003                                     | T-Frame with 3' Vertical Standoff   | Ea  | \$1887     | 549 |
| 5.930.0046.003                                     | T-Frame with 3' Tapered Standoff<br>Includes three 2 3/8" x 8' pipes, Small Backing Kits, and 12' long Tie-Back |     | \$1889     |     |
| 5.930.0045.004                                     | T-Frame with 3' Vertical Standoff   | Ea  | \$2078     | 602 |
| 5.930.0046.004                                     | T-Frame with 3' Tapered Standoff<br>Includes four 2 3/8" x 8' pipes, Small Backing Kits, and 12' long Tie-Back  |     | \$2080     |     |
| 5.930.0045.005                                     | T-Frame with 3' Vertical Standoff   | Ea  | \$2269     | 654 |
| 5.930.0046.005                                     | T-Frame with 3' Tapered Standoff<br>Includes five 2 3/8" x 8' pipes, Small Backing Kits, and 12' long Tie-Back  |     | \$2271     |     |
| 5.930.0045.013                                     | T-Frame with 3' Vertical Standoff   | Ea  | \$2023     | 583 |
| 5.930.0046.013                                     | T-Frame with 3' Tapered Standoff<br>Includes three 2 3/8" x 8' pipes, Large Backing Kits, and 12' long Tie-Back |     | \$2025     |     |
| 5.930.0045.014                                     | T-Frame with 3' Vertical Standoff   | Ea  | \$2214     | 636 |
| 5.930.0046.014                                     | T-Frame with 3' Tapered Standoff<br>Includes four 2 3/8" x 8' pipes, Large Backing Kits, and 12' long Tie-Back  |     | \$2216     |     |
| 5.930.0045.015                                     | T-Frame with 3' Vertical Standoff   | Ea  | \$2405     | 689 |
| 5.930.0046.015                                     | T-Frame with 3' Tapered Standoff<br>Includes five 2 3/8" x 8' pipes, Large Backing Kits, and 12' long Tie-Back  |     | \$2407     |     |

| Kit #  | Description   | Qty | List Price | Wt  |
|--|---|-----|------------|-----|
| <b>14' Welded T-Frame Sector with 3 1/2" Rails</b> |   |     |            |     |
| 5.930.0047.001                                     | T-Frame with 3' Vertical Standoff   | Ea  | \$1139     | 375 |
| 5.930.0048.001                                     | T-Frame with 3' Tapered Standoff<br>No Mounting Hardware or Tie-Back  |     | \$1141     |     |
| 5.930.0047.003                                     | T-Frame with 3' Vertical Standoff   | Ea  | \$2118     | 626 |
| 5.930.0048.003                                     | T-Frame with 3' Tapered Standoff<br>Includes three 2 3/8" x 8' pipes, Small Backing Kits, and 12' long Tie-Back |     | \$2120     |     |
| 5.930.0047.004                                     | T-Frame with 3' Vertical Standoff   | Ea  | \$2325     | 681 |
| 5.930.0048.004                                     | T-Frame with 3' Tapered Standoff<br>Includes four 2 3/8" x 8' pipes, Small Backing Kits, and 12' long Tie-Back  |     | \$2327     |     |
| 5.930.0047.005                                     | T-Frame with 3' Vertical Standoff   | Ea  | \$2532     | 737 |
| 5.930.0048.005                                     | T-Frame with 3' Tapered Standoff<br>Includes five 2 3/8" x 8' pipes, Small Backing Kits, and 12' long Tie-Back  |     | \$2534     |     |
| 5.930.0047.013                                     | T-Frame with 3' Vertical Standoff   | Ea  | \$2254     | 660 |
| 5.930.0048.013                                     | T-Frame with 3' Tapered Standoff<br>Includes three 2 3/8" x 8' pipes, Large Backing Kits, and 12' long Tie-Back |     | \$2256     |     |
| 5.930.0047.014                                     | T-Frame with 3' Vertical Standoff   | Ea  | \$2461     | 716 |
| 5.930.0048.014                                     | T-Frame with 3' Tapered Standoff<br>Includes four 2 3/8" x 8' pipes, Large Backing Kits, and 12' long Tie-Back  |     | \$2463     |     |
| 5.930.0047.015                                     | T-Frame with 3' Vertical Standoff   | Ea  | \$2668     | 771 |
| 5.930.0048.015                                     | T-Frame with 3' Tapered Standoff<br>Includes five 2 3/8" x 8' pipes, Large Backing Kits, and 12' long Tie-Back  |     | \$2670     |     |

Notes: 1. Small Backing Kits fit up to 4 1/2" OD rounds and 4" (60°) angles.  
2. Large Backing Kits fit up to 11" OD rounds and 8" angles.  
3. The above Tie-Backs can attach up to 3 1/2" OD members.

Notes: 1. Small Backing Kits fit up to 4 1/2" OD rounds and 4" (60°) angles.  
2. Large Backing Kits fit up to 11" OD rounds and 8" angles.  
3. The above Tie-Backs can attach up to 3 1/2" OD members.