

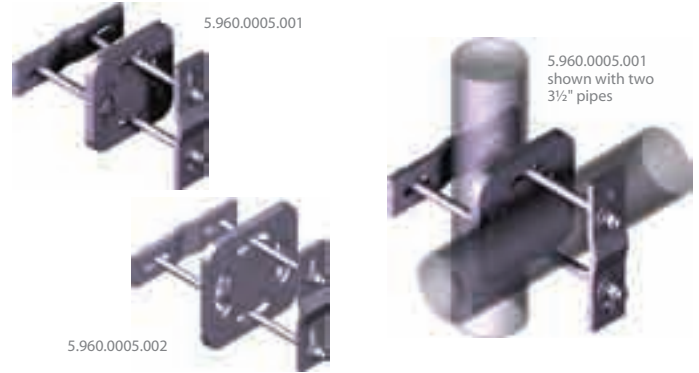
## Antenna Mounts

### Universal Crossover Assemblies

The universal crossover assemblies are commonly used to secure two members (such as pipes, angles, or hss) at angles ranging from 45° to 90°. The smaller option can attach sizes ranging from 3/4" OD up to and including 3 1/2" OD members. The larger version can connect up to and including 4 1/2" OD members.

All parts are hot dip galvanized to provide corrosion protection in all environmental conditions.

Please note that OD means "outer diameter," and can be used for any structural member that falls within the size given.



Quick Guide			
Size	2 Variations	Mounts to	See table below
Design	Pipe to Pipe, or any member connection	Material	Hot dip galvanized steel
Feature	Adjustability ranging from 45° to 90°	Order Separately	Pipes, page 89

Kit #	Description	Qty	List Price	Wt
<b>Universal Crossover Assemblies</b>				
5.960.0005.001	Universal Kit and Hardware can fit two members up to 3 1/2" OD	Ea	\$67	10.4
5.960.0005.002	Universal Kit and Hardware can fit two members up to 4 1/2" OD	Ea	\$78	12.1

Note: Members can be pipes, angles, or other members of equivalent or smaller size.

### Hybrid Crossover Assemblies

The hybrid crossover assemblies connect standard pipes (2 3/8", 2 7/8", 3 1/2", and 4 1/2" OD) to other structural members, such as angles, pipes, or hss, using the adjustable backing plate side of the assembly. The smaller assemblies attach these pipes to other members up to 4 3/4" wide by 4 1/2" deep. The larger assemblies attach other members up to 11" OD in size.

All pieces are hot dip galvanized.

Quick Guide			
Size	8 Variations	Mounts to	See table below
Design	Pipe to member connections (4 3/4" wide x 4 1/2" deep)	Material	Hot dip galvanized steel
Feature	Versatility to attach to pipes, angles, etc.	Order Separately	Pipes, page 89

Kit #	Description	Qty	List Price	Wt
<b>Hybrid Crossover Assemblies</b>				
5.960.0006.001	Crossover Kit and hardware fits 4 1/2" OD pipe up to 4 3/4" wide by 4 1/2" deep members	Ea	\$90	15.4
5.960.0006.002	Crossover Kit and hardware fits 3 1/2" OD pipe up to 4 3/4" wide by 4 1/2" deep members	Ea	\$85	15.0
5.960.0006.003	Crossover Kit and hardware fits 2 7/8" OD pipe up to 4 3/4" wide by 4 1/2" deep members	Ea	\$80	15.0
5.960.0006.004	Crossover Kit and hardware fits 2 3/8" OD pipe up to 4 3/4" wide by 4 1/2" deep members	Ea	\$80	14.6
5.960.0008.001	Crossover Kit and hardware fits 4 1/2" OD pipe up to 11" OD members	Ea	\$123	28.2
5.960.0008.002	Crossover Kit and hardware fits 3 1/2" OD pipe up to 11" OD members	Ea	\$118	27.8
5.960.0008.003	Crossover Kit and hardware fits 2 7/8" OD pipe up to 11" OD members	Ea	\$107	25.0
5.960.0008.004	Crossover Kit and hardware fits 2 3/8" OD pipe up to 11" OD member	Ea	\$107	24.8

Notes: 1. Examples of 4 3/4" wide by 4 1/2" deep members are 4" (60°) angles, 3" (90°) angles, or 4 1/2" hss members.  
2. 2 3/8" OD pipe can be exchanged for a 1 7/8" OD pipe.  
3. 2 7/8" OD pipe can be exchanged for a 3" OD pipe.

