

## Antenna Mounts

### Wireless Arms

Wireless Arms are a quick solution to installing small antennas to a tower structure. These single arm supports are made from rugged 2 3/8" OD structural rails and are offered in five standard widths. With additional pipe mount kits and tie-back kits, they offer tremendous versatility and are the basic component to building larger wireless frames. Standard with these assemblies is a backing kit capable of attaching to vertical or tapered tower legs up to 4" (60°) angles or 4 1/2" OD round members.

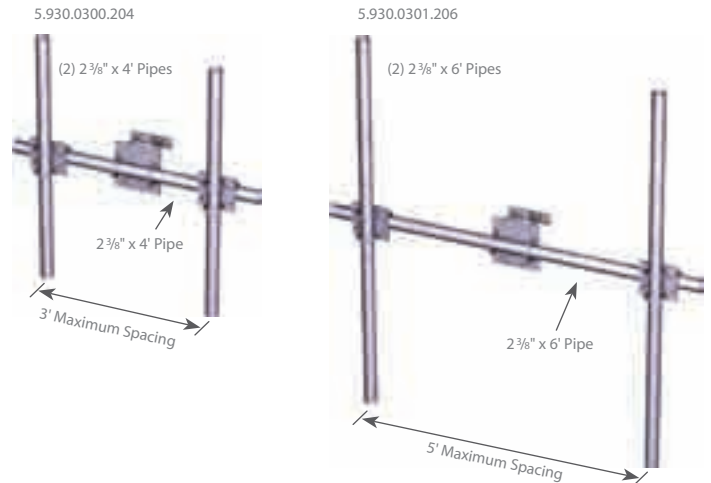
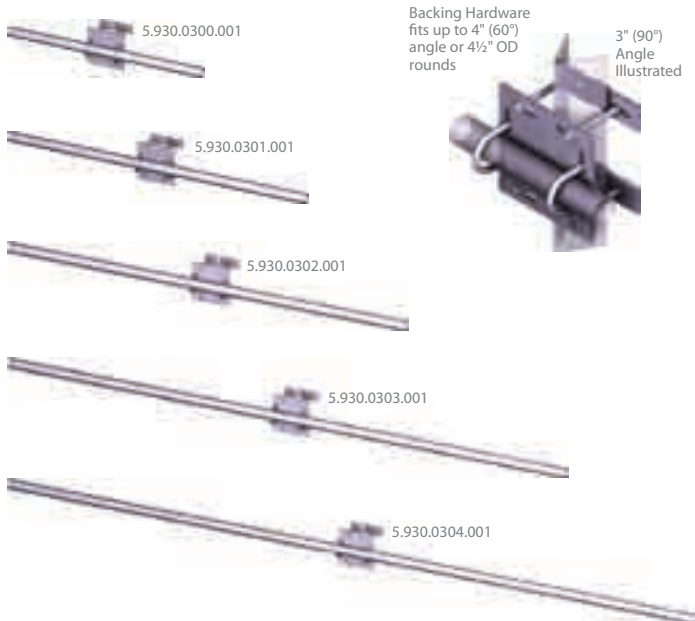
Although not included in these kits, tie-back assemblies are available and are commonly used to stabilize antennas and recommended for large diversities, heavy loading or high wind situations. Please see page 10 for a full selection of available tie-backs.

All material is hot dip galvanized for corrosion resistance in any environmental condition.

(Note: As an example, a 5' Wireless Arm with two 1' x 5' panels at maximum diversity, can achieve wind pressures of 800Pa. Call us to see which is best suited for your application.)

#### Quick Guide

Size	5 Variations	Mounts to	Up to 4" (60°) angles or 4 1/2" OD rounds
Design	2 3/8" Pipes	Material	Hot dip galvanized steel
Feature	Versatile mount	Order Separately	Tie-Backs, page 12 Longer Pipes, page 89



Kit #	Description	Qty	List Price	Wt
<b>Wireless Arms</b>				
5.930.0300.001	WA3 - 3' Wireless Arm	Ea	\$131	33
5.930.0301.001	WA5 - 5' Wireless Arm	Ea	\$154	43
5.930.0302.001	WA7 - 7' Wireless Arm	Ea	\$177	52
5.930.0303.001	WA11 - 11' Wireless Arm	Ea	\$233	70
5.930.0304.001	WA14 - 14' Wireless Arm	Ea	\$258	84

Kit #	Description	Qty	List Price	Wt
<b>Wireless Arms with Two Pipes</b>				
5.930.0300.204	WA3 with two 2 3/8" x 4' pipes	Ea	\$327	86
5.930.0301.204	WA5 with two 2 3/8" x 4' pipes	Ea	\$350	95
5.930.0301.206	WA5 with two 2 3/8" x 6' pipes	Ea	\$396	114

- Notes: 1. Standard with each above assembly are backing kits that fit up to 4 1/2" OD rounds and 4" (60°) angles.  
2. For nomenclature, a WA3 stands for maximum diversity or 3', whereas the actual pipe is 1' longer (4' overall length).

- Notes: 1. Standard with each above assembly are backing kits that fit up to 4 1/2" OD rounds and 4" (60°) angles.  
2. For nomenclature, a WA3 stands for maximum diversity or 3', whereas the actual pipe is 1' longer (4' overall length).