

Antenna Mounts

Wireless Frames

Wireless Frames are the ideal solution for mounting sector antennas in a wireless system. The antenna pipes mount to the frame with u-bolts and can be positioned anywhere along the frame to achieve specific antenna separation.

The Wireless Frames come with standard backing hardware to mount directly to vertical tower legs up to 4½" OD round in size, or up to 4" (60°) angles. When the tower leg is sloped or an offset is necessary from the tower, a standoff (purchased separately on pages 4 to 7) can be used to compensate the taper and provide a vertical mounting surface.

Almost an unlimited array of diversities and antenna pipe mounts are available within our current kits. But if your requirements are outside one of our standard pre-packaged kits, start from scratch and build the system using the Wireless Arms on page 15 in conjunction with pipe and mounting hardware on page 78.

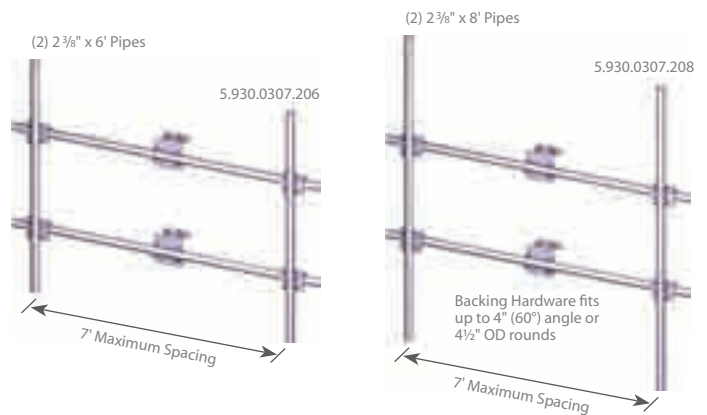
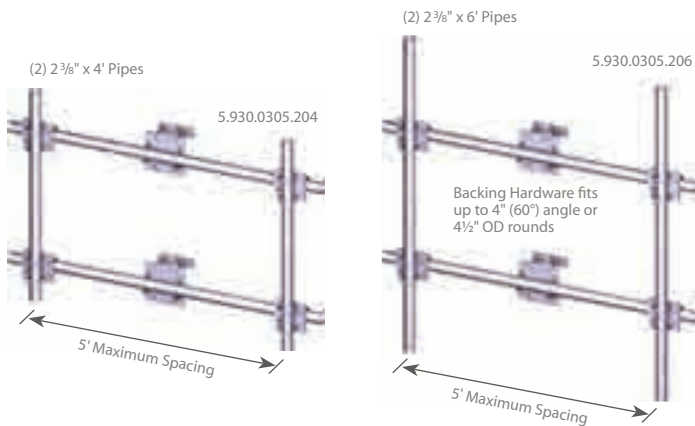
Tie-backs are not included in these assemblies, but are available and commonly used to stabilize antennas in heavy loading or high wind situations. Please see page 12 for a full selection of available tie-backs.

All material is hot dip galvanized to weather the elements.

(Note: As an example, a 7' Wireless Frame with two 1' x 8' panel antennas at maximum separation can achieve wind pressures up to 800Pa, with less than 1° deflection. Call us to see which is best suited for your application.)

Quick Guide

Size	4 different widths (5', 7', 11', and 14')	Mounts to	Up to 4" (60°) angles or 4½" OD rounds
Design	Vertical Mount with dual 2⅜" Pipes	Material	Hot dip galvanized steel
Feature	Versatile mount	Order Separately	Tie-Backs, page 12 Standoffs, pages 4-7



Kit #	Description	Qty	List Price	Wt
5' Wireless Frames with Two Pipes				
5.930.0305.204	WF5 - 5' Wireless Frame with two 2⅜" x 4' pipe assemblies	Ea	\$598	154
5.930.0305.206	WF5 - 5' Wireless Frame with two 2⅜" x 6' pipe assemblies	Ea	\$644	172
5.930.0305.208	WF5 - 5' Wireless Frame with two 2⅜" x 8' pipe assemblies	Ea	\$690	190
5.930.0305.212	WF5 - 5' Wireless Frame with two 2⅜" x 12" pipe assemblies	Ea	\$782	227

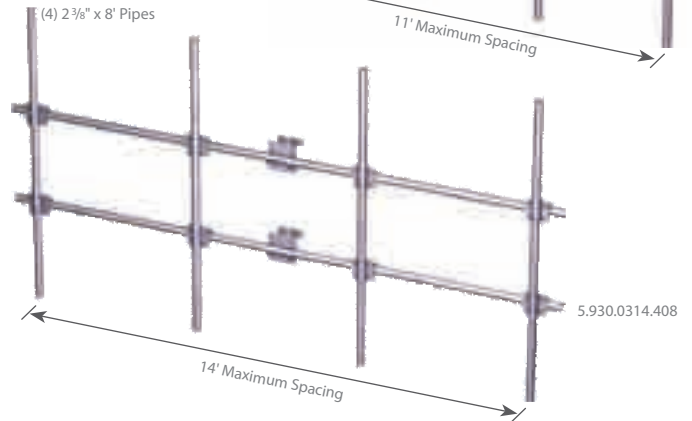
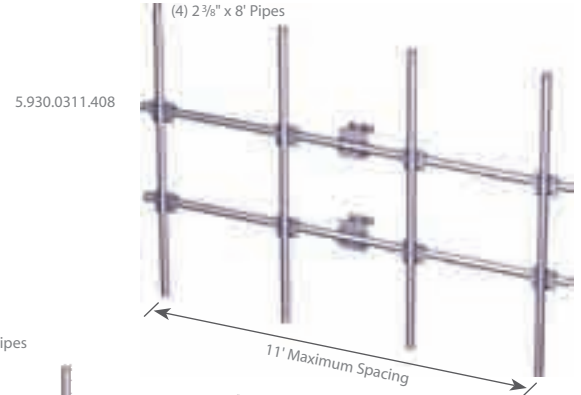
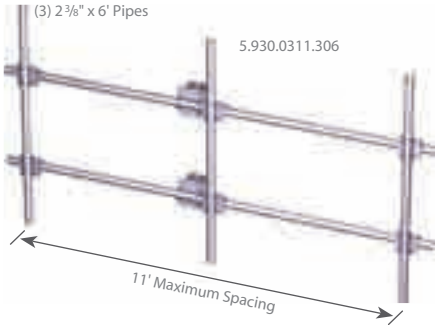
Kit #	Description	Qty	List Price	Wt
7' Wireless Frames with Two Pipes				
5.930.0307.204	WF7 - 7' Wireless Frame with two 2⅜" x 4' pipe assemblies	Ea	\$644	172
5.930.0307.206	WF7 - 7' Wireless Frame with two 2⅜" x 6' pipe assemblies	Ea	\$690	190
5.930.0307.208	WF7 - 7' Wireless Frame with two 2⅜" x 8' pipe assemblies	Ea	\$736	208
5.930.0307.212	WF7 - 7' Wireless Frame with two 2⅜" x 12" pipe assemblies	Ea	\$828	245

Notes: 1. Standard with each above assembly are backing kits that fit up to 4½" OD rounds and 4" (60°) angles.
2. For nomenclature, a WF5 stands for maximum diversity or 5', whereas the actual pipe is 1' longer (4' overall length).

Notes: 1. Standard with each above assembly are backing kits that fit up to 4½" OD rounds and 4" (60°) angles.
2. For nomenclature, a WF7 stands for maximum diversity or 7', whereas the actual pipe is 1' longer (8' overall length).

Antenna Mounts

Wireless Frames *continued*



Kit #	Description	Qty	List Price	Wt
11' Wireless Frames with Two Pipes				
5.930.0311.204	WF11 - 11' Wireless Frame with two 2 ³ / ₈ " x 4' pipe assemblies	Ea	\$736	208
5.930.0311.206	WF11 - 11' Wireless Frame with two 2 ³ / ₈ " x 6' pipe assemblies	Ea	\$782	227
5.930.0311.208	WF11 - 11' Wireless Frame with two 2 ³ / ₈ " x 8' pipe assemblies	Ea	\$828	245
5.930.0311.212	WF11 - 11' Wireless Frame with two 2 ³ / ₈ " x 12" pipe assemblies	Ea	\$920	282

Kit #	Description	Qty	List Price	Wt
11' Wireless Frames with Three Pipes				
5.930.0311.304	WF11 - 11' Wireless Frame with three 2 ³ / ₈ " x 4' pipe assemblies	Ea	\$881	243
5.930.0311.306	WF11 - 11' Wireless Frame with three 2 ³ / ₈ " x 6' pipe assemblies	Ea	\$950	271
5.930.0311.308	WF11 - 11' Wireless Frame with three 2 ³ / ₈ " x 8' pipe assemblies	Ea	\$1019	298
5.930.0311.312	WF11 - 11' Wireless Frame with three 2 ³ / ₈ " x 12" pipe assemblies	Ea	\$1157	353

Kit #	Description	Qty	List Price	Wt
11' Wireless Frames with Four Pipes				
5.930.0311.404	WF11 - 11' Wireless Frame with four 2 ³ / ₈ " x 4' pipe assemblies	Ea	\$1026	277
5.930.0311.406	WF11 - 11' Wireless Frame with four 2 ³ / ₈ " x 6' pipe assemblies	Ea	\$1118	314
5.930.0311.408	WF11 - 11' Wireless Frame with four 2 ³ / ₈ " x 8' pipe assemblies	Ea	\$1210	351
5.930.0311.412	WF11 - 11' Wireless Frame with four 2 ³ / ₈ " x 12" pipe assemblies	Ea	\$1534	424

Kit #	Description	Qty	List Price	Wt
14' Wireless Frames with Three Pipes				
5.930.0314.304	WF14 - 14' Wireless Frame with three 2 ³ / ₈ " x 4' pipe assemblies	Ea	\$951	271
5.930.0314.306	WF14 - 14' Wireless Frame with three 2 ³ / ₈ " x 6' pipe assemblies	Ea	\$1020	299
5.930.0314.308	WF14 - 14' Wireless Frame with three 2 ³ / ₈ " x 8' pipe assemblies	Ea	\$1089	326
5.930.0314.312	WF14 - 14' Wireless Frame with three 2 ³ / ₈ " x 12" pipe assemblies	Ea	\$1227	381

Kit #	Description	Qty	List Price	Wt
14' Wireless Frames with Four Pipes				
5.930.0314.404	WF14 - 14' Wireless Frame with four 2 ³ / ₈ " x 4' pipe assemblies	Ea	\$1096	305
5.930.0314.406	WF14 - 14' Wireless Frame with four 2 ³ / ₈ " x 6' pipe assemblies	Ea	\$1188	342
5.930.0314.408	WF14 - 14' Wireless Frame with four 2 ³ / ₈ " x 8' pipe assemblies	Ea	\$1280	379
5.930.0314.412	WF14 - 14' Wireless Frame with four 2 ³ / ₈ " x 12" pipe assemblies	Ea	\$1464	452

Notes: 1. Standard with each above assembly are backing kits that fit up to 4¹/₂" OD rounds and 4" (60°) angles.
2. For nomenclature, a WF11 stands for maximum diversity or 11', whereas the actual pipe is 1' longer (12' overall length).

Notes: 1. Standard with each above assembly are backing kits that fit up to 4¹/₂" OD rounds and 4" (60°) angles.
2. For nomenclature, a WF14 stands for maximum diversity or 14', whereas the actual pipe is 1' longer (15' overall length).